



FLAMESAFE® FS 4000 SILICONE SEALANT

Elastomeric, water resistant, water tight firestop

Product Features

- Underwriters Laboratories classified
- Firestop listings for penetration, joint and perimeter barrier systems
- Tested to UL 1479 (ASTM E814), UL 2079 (ASTM E1966 and E1399), UL 723 (ASTM E84), ASTM E2307
- Listed in systems with up to 3 hour fire rating
- Elastomeric (flexible cure)
- Silicone-based
- Water tight—W Rating Class 1
- Self-leveling grades
- Weather resistant
- Smoke tight—L Rating
- UV Resistant
- Meets ASTM C920, Type S, Grade NS&P—Class 25, use NT, M, G, A, O

Description

FlameSafe® FS 4000 Silicone Sealant is a flexible product used to prevent/reduce the spread of fire, smoke, gases and water. It is designed for firestopping applications for penetrations, construction joints and perimeter (curtain wall) joints. It is offered in two forms, a non-sag caulk, which can be troweled, and a self-leveling grade that can be poured into place in floor applications. Actual installation may vary according to the type of firestop application.

Apply the required depth of sealant beginning on the edge of the opening (use over various backing materials as required). Insure that the sealant makes complete contact with the inside surface of the opening and also the surface of the penetrating item(s).

Applicable Standards

FlameSafe FS 4000 Silicone Sealant is listed by Underwriters Laboratories Inc. (UL) and Underwriters' Laboratories of Canada (ULC) for systems up to 3 hours, tested in accordance with ASTM E814

(UL 1479/CAN 4-2115M), *Fire Tests of Through-Penetration Firestops*; ASTM E1966 (UL 2079), *Standard for Fire Tests of Joint Systems*; and ASTM E2307, *Standard Test Method for Determining Fire Resistance of Perimeter Fire Barriers Using Intermediate-Scale, Multi-Story Test Apparatus*.

Testing Data

For specific test criteria, refer to the UL Fire Resistance Directory.

Storage & Handling

FlameSafe FS 4000 Silicone Sealant should be stored at temperatures between 40–90°F (4–32°C). Protect from freezing. Expected shelf life is one year from date of manufacture.

Maintenance

Applications using FlameSafe FS 4000 Silicone Sealant are maintenance free, however, installations should be inspected periodically for accidental damage and repaired as per the original approved design.

Warranty

All statements, technical information and recommendations contained herein are based on tests we believe to be reliable. However, since the conditions of use and application are beyond our control, RectorSeal shall not be liable for any damage, direct or consequential, resulting from the use of this material or design.

Physical Properties

Property	Typical Value
Color	Limestone/Gray
Application temperature	-20 to 122°F (-29 to 50°C)
Service temperature (ASTM C1299)	-60 to 300°F (-51 to 149°C)
Cure time	Less than 2 weeks for ½ in. thickness
Cure method	Neutral, moisture cure
Flame spread (ASTM E84)	3
Smoke developed (ASTM E84)	22
100% modulus (ASTM D412)	30 psi (0.207 mPa)
Elongation at break (ASTM D412)	600%
Tear strength (ASTM D624, die C)	25 ppi (4.38 kN/m)
Hardness (ASTM D2240, Shore A)	10–15
Dielectric strength (ASTM D149)	479 V/mil (19.0 kV/mm)

Application Guide

Penetrations	
Blank openings	X
Metallic	X
Non-metallic	X
Cables	X
Cable trays	X
Insulated	X
Misc. electrical	X
HVAC	X
Mixed	X
Joints	X
Perimeter Barrier (Curtain Wall)	X



RectorSeal's only warranty shall be to replace any of its products found to be defective.

Technical Support

RectorSeal provides technical support for all of its products, including Flame-Safe FS 4000 Silicone Sealant. Call toll free at 800-231-3345 for assistance in product selection and for detailed specifications and approvals. We provide engineering analysis for unique firestopping applications, including system design drawings suitable for submittals. Material Safety Data Sheets are also available. More information is available on our web site at <http://flamesafe.rectorseal.com>.

<http://flamesafe.rectorseal.com>

For technical assistance call toll free at 800-231-3345

FlameSafe is a registered trademark of RectorSeal

RectorSeal makes the Limited Express Warranty that when the instructions for storage and handling of our products are followed we warrant our products to be free from defects. THIS LIMITED EXPRESS WARRANTY IS EXPRESSLY IN LIEU OF ANY OTHER EXPRESS OR IMPLIED WARRANTIES, INCLUDING ANY IMPLIED WARRANTY OF MERCHANTABILITY OR FITNESS FOR A PARTICULAR PURPOSE, AND OF ANY OTHER OBLIGATION ON THE PART OF RECTORSEAL. The sole remedy for breach of the Limited Express Warranty shall be the refund of the purchase price. All other liability is negated and disclaimed, and RectorSeal shall not be liable for incidental or consequential damages.

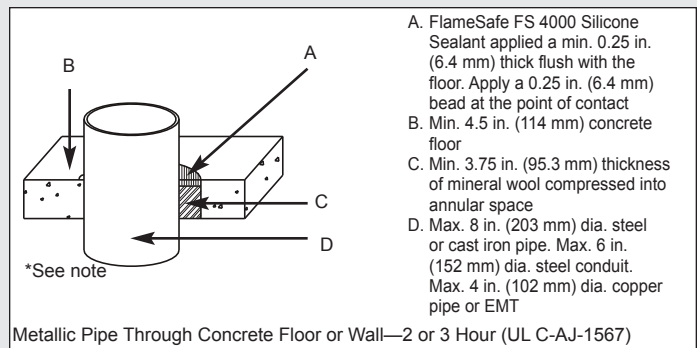
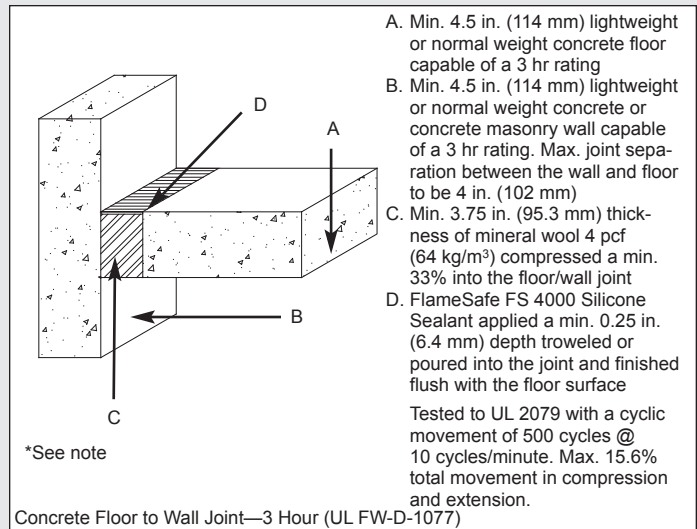
Suggestions and recommendations covering the use of our products are based on our past experience and laboratory findings. However, as we have no control as to the methods and conditions of application, we only assume responsibility for the uniformity of our products within manufacturing tolerances.

This product may be covered by patents or patents pending.
FS-700A Printed in U.S.A. 9/09

Availability

FlameSafe FS 4000 Silicone Sealant is available through authorized RectorSeal distributors in the following quantities:

Description	Part No.	Volume	Std. Pack
Caulk Grade			
28 oz (828 mL) tube	66863	50 in. ³ (828 cm ³)	6
4 gal (15.1 L) pail	66864	924 in. ³ (15,141 cm ³)	1
Self-Leveling			
28 oz (828 mL) tube	66867	50 in. ³ (828 cm ³)	6
4 gal (15.1 L) pail	66868	924 in. ³ (15,141 cm ³)	1



*Refer to UL designs for full system description.



RECTORSEAL

2601 Spenwick Drive, Houston, Texas 77055
www.rectorseal.com

Copyright 2009 RectorSeal.